



INNOVATIVE DESIGNS
FOR CREATIVE SPACES.

Aero Table Legs

Installation Instructions

Tools Required for Assembly:

- #2 Phillips Head Screwdriver
- (Recommended) Cordless Screwdriver with #2 Phillips Bit

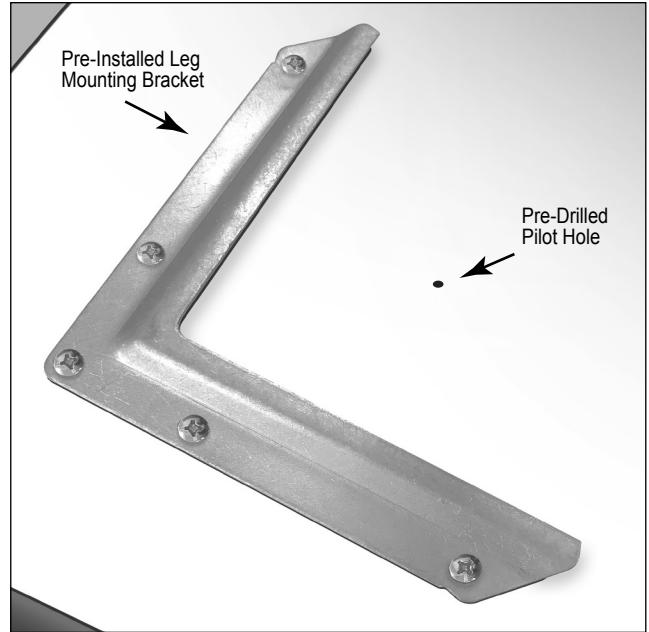
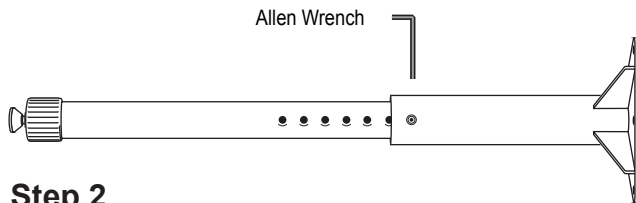
Hardware Included:

- 4 x 3/4" #10 Phillips Head Screws
- 1 x Allen Wrench (Hex Key)

Step 1

Carefully remove outer packaging and place the table topside-down on a clean, non-scratching surface.

You will see four or more heavy duty steel brackets on the underside of the table top. These brackets have been pre-installed at the factory to ensure perfect leg positioning and make assembly easier and faster.



Step 2

Set the heights of your Aero legs. Use the provided Allen wrench to tighten the set screws. Check that all legs are set to the same height before proceeding.

NOTE: Allow for the table top thickness of 1-1/4" when determining height. If you are installing optional casters, allow for an additional 2".

Step 3

Turn the leg upside down and slide it fully into the pre-installed bracket. The pilot hole will be visible when the leg is fully engaged. Install the Phillips head screw through the slotted center hole and into the table top. Tighten fully, and repeat for all remaining legs.

With a helper, turn the table upright. Nylon glides at the bottom of each leg can be adjusted to perfectly level the table.

