



INNOVATIVE DESIGNS
FOR CREATIVE SPACES.

Mobile Admin/Teacher Desk

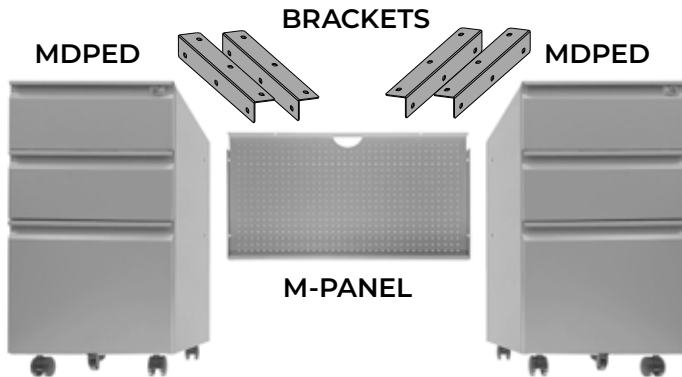
Assembly Instructions - Dual Pedestal

Tools Required for Assembly:

- Cordless Screwdriver with #2 Phillips bit

Included Hardware:

- 14 x 3/4" Pan-head wood screws
- 16 x M6 Truss-head screws



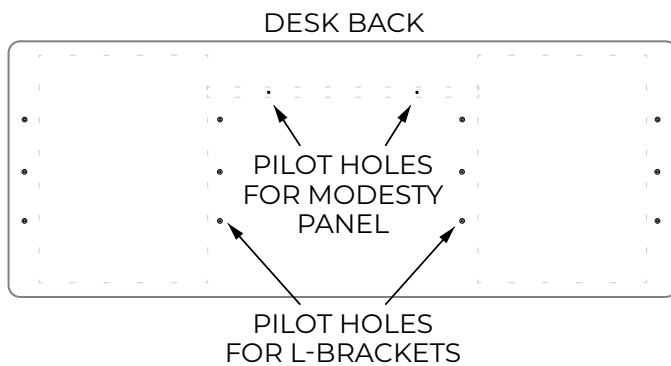
Your desk base arrives in multiple cartons, labeled as:

MDPED - Fully assembled drawer units

M-PANEL - One modesty panel

L-BRACKETS- Four L-Brackets

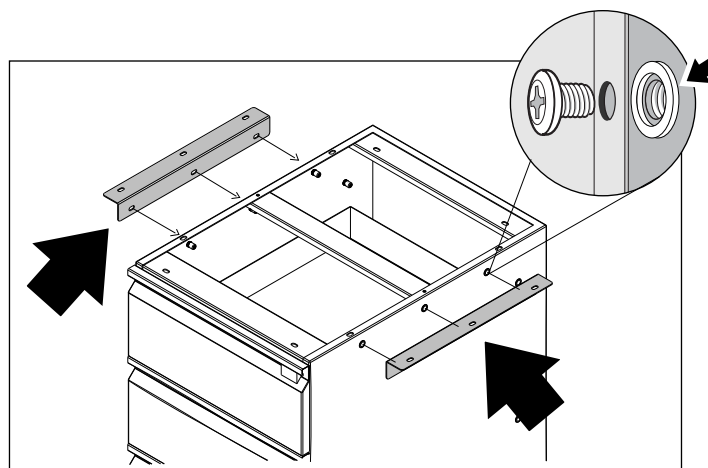
The **Desk Top** will be its own carton. Please flatten and retain this carton for assembly.



Step 1.

Flatten the top carton to provide a smooth surface for assembly. Carefully lay the desk top face-down on the carton.

The extra pilot holes for the modesty panel determine the back of the desk top.



Step 2.

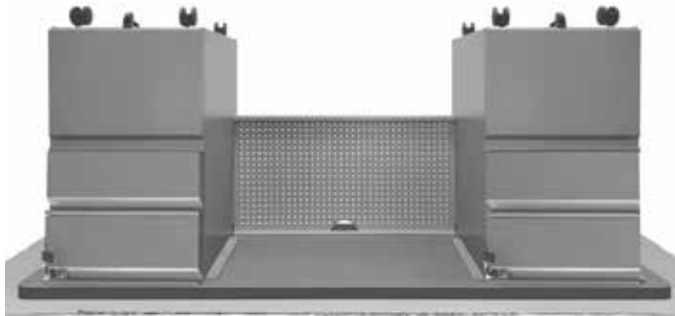
Unpack the two **MDPED** drawer units and locate the L-brackets. Affix the four L-brackets to their corresponding positions located at the top of the drawer pedestal unit fourteen (14) M6 truss head screws, three per L-bracket.



INNOVATIVE DESIGNS
FOR CREATIVE SPACES.

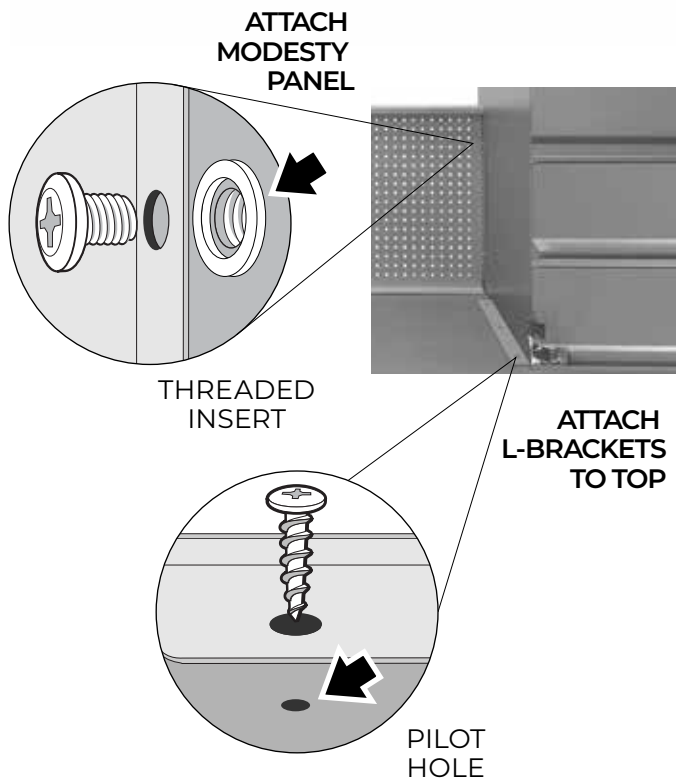
Mobile Admin/Teacher Desk

Dual Pedestal - Continued



Step 3.

Position the two **MDPED** units on the desk top, top-side down with the fronts facing toward the front of the desk.



Attach the **Modesty Panel** to the Drawer Units using four (4) M6 truss head screws for each side.

Step 4.

Use fourteen (14) 3/4" Pan-head screws to attach the completed base assembly to the desk top. 12 Holes in the 4 L-Brackets and 2 holes in the Modesty Panel locate into the corresponding fourteen (14) pilot holes on the desk top.

Ensure that all screws align and thread smoothly into the pilot holes before fully tightening.

Step 5.

With a helper, turn the completed desk right side up and replace the drawers.

Disengage the caster locks when moving the desk. Re-engage to secure the desk in place.





INNOVATIVE DESIGNS
FOR CREATIVE SPACES.

Mobile Admin/Teacher Desk

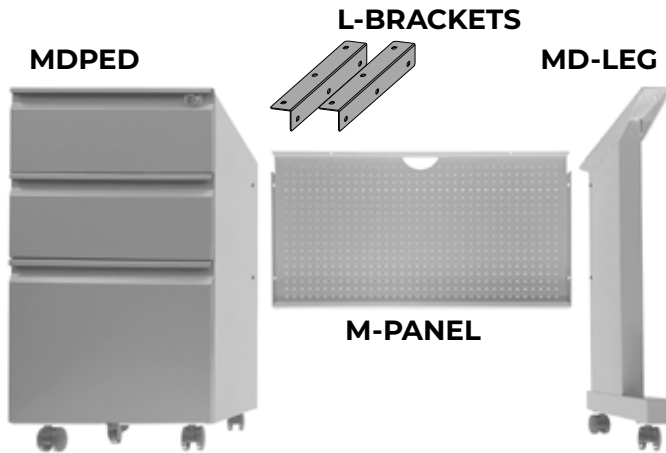
Assembly Instructions - Single Pedestal

Tools Required for Assembly:

- Cordless Screwdriver with #2 Phillips bit

Included Hardware:

- 12 x 3/4" Pan-head wood screws
- 10 x M6 Truss-head screws



Your desk base arrives in multiple cartons, labeled as:

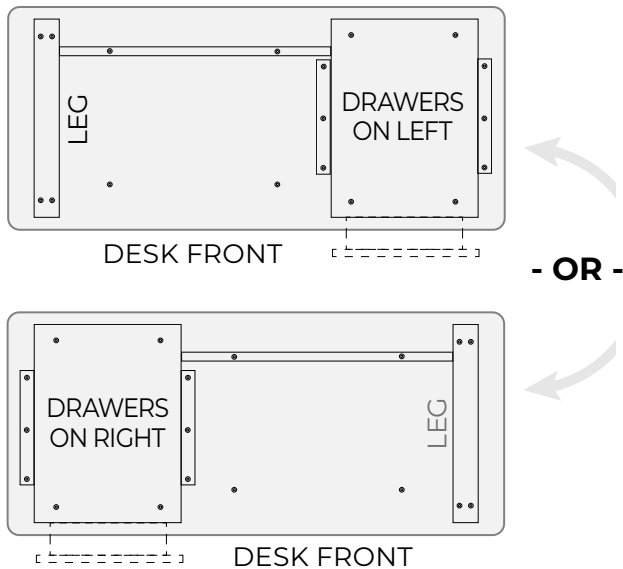
MDPED - One fully assembled drawer pedestal

MD-LEG - One leg assembly

M-PANEL - One modesty panel

L-BRACKETS- Two L-Brackets

The **Desk Top** will be its own carton. Please flatten and retain this carton for assembly.

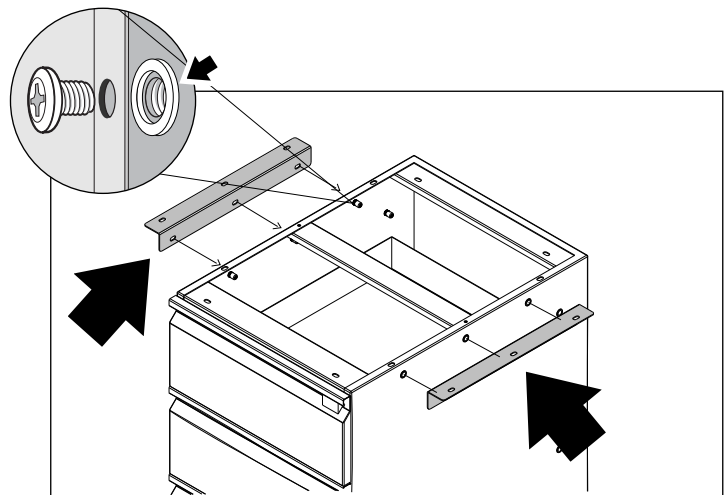


Step 1.

Carefully lay the desk top face-down on the carton.

Determine if you want the drawers on the left or right-hand side, using the pattern of pre-drilled pilot holes in the underside of the desktop as a guide.

Rotate the top accordingly.



Step 2.

Unpack the two **MDPED** drawer units and locate the L-brackets. Affix the two L-brackets to their corresponding positions located at the top of the drawer pedestal unit six (6) M6 truss head screws, three per L-bracket.



INNOVATIVE DESIGNS
FOR CREATIVE SPACES.

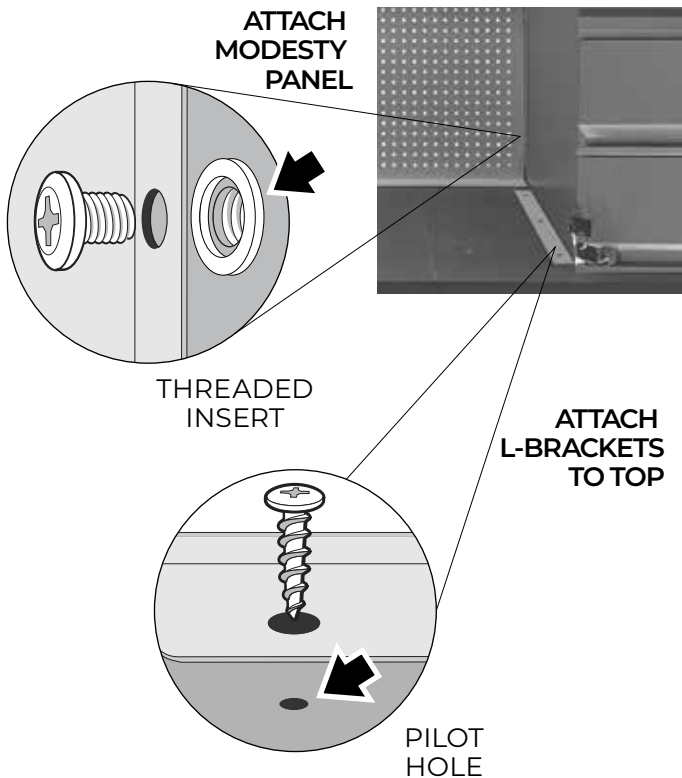
Mobile Admin/Teacher Desk

Single Pedestal - Continued



Step 3.

Position the **MDPED** unit on the desk top, top-side down, with the front facing toward the front of the desk.



Attach the **M-Panel** to the drawer unit using two (2) M6 truss head screws.

Attach the **MD-Leg** to the opposite side of the modesty panel using two (2) M6 truss head screws.

Step 4.

Use twelve (12) 3/4" Pan-head screws to attach the completed base assembly to the desk top.

Ensure that all screws align and thread smoothly into the pilot holes before fully tightening.

Step 5.

With a helper, turn the completed desk right side up and replace the drawers.

Disengage the caster locks when moving the desk. Re-engage to secure the desk in place.

