



INNOVATIVE DESIGNS
FOR CREATIVE SPACES.®

Wood Science Table

Assembly Instructions

Tools Required for Assembly:

- 3/8" Ratchet
- 1/2" Socket
- 3" Extension

Hardware Included:

- 8 x Split Ring Lock Washers
- 8 x 5/16" -18 Nuts

Each leg will require two lock washers and nuts.

Step 1

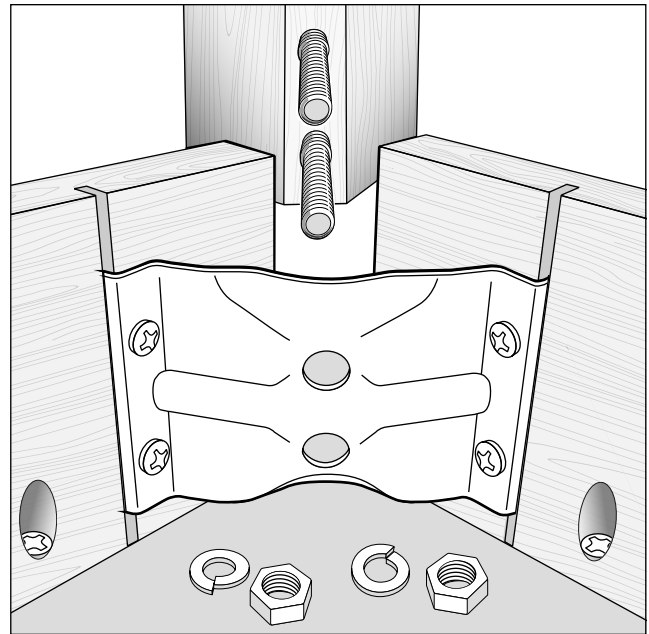
Place the Table Top face down on a soft surface to prevent scratching.

Side aprons and metal corner brackets were attached to the underside of the table top at the factory.

Position the first leg in a corner. The hanger bolts on the leg should be pushed through the holes in the metal corner bracket.

Place a split ring washer on both bolts, then thread the nuts onto the bolts. Finger tighten the nuts, making sure the leg is properly aligned and seated in the corner.

Tighten using the 1/2" socket. When the nuts are properly tightened, the split ring washer will be fully compressed.



Step 2

Repeat this procedure for the 3 remaining legs.

With a helper, turn the table upright and enjoy many years of sturdy, reliable service.

